

A105

/S/SE



THERE ARE ONLY FOUR WAYS TO CUT ABOVE THE REST OF THE MARKET; A105, A105/E, A105/S OR A105/SE. EACH PROVIDES A PRECISION CUT, ENHANCED PRODUCTION AND AIR BLOWN CLEANLINESS

Cutex
LAS MÁQUINAS PARA EXTENDER Y CORTAR

A105

/S/SE

Cutting machines with continuous knife and the best performance on the market. Designed to cut all types of fabric and especially acrylic or other fabrics that, because of their composition are liable to stick together.

It is constructed in special steel tubing and first class materials, which make it sturdy, cutting out vibrations. It is equipped with four aluminium wheels with a special wear proof rubber lining allowing for greater cutting capacities with minimum effort.

It includes an adjustable sharpener that ensures the desired sharpness and maximum smoothness in the cut. Located on the bottom right-hand side of the machine, it prevents sharpening waste from dirtying the work table.

The A105 range complies with the EC safety standards.

A105

- Cutting machine with a standard version continuous belt.
- Hand regulation for the blade protection system, according with the cut height.
- Motor with electro-mechanic safety brakes.
- Built-in sharpener with remote control, installed on the same side as the operator.
- Cutting table measuring 244 x 122cm. o 244 x 150 cm.
- Consumption kw 0.7

A105/E

- Same characteristics as A105
- Speed variator adjustable from 400 to 2000r.p.m. Which allows you to cut all types of fabrics, including those that are liable to stick together.
- Cutting table measuring 244 x 150cm.
- Consumption kw 0.7

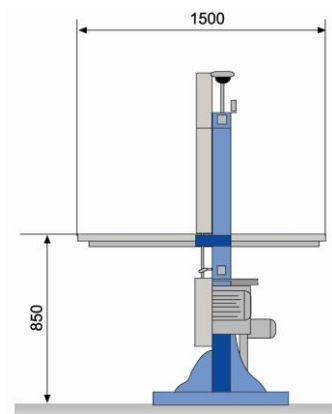
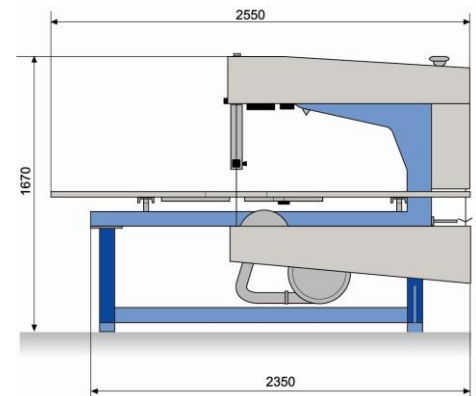
A105/S

- Same characteristics as A105
- Coupled to a turbine air blower unit through a chamber, adjusted at the outlet by valves, which are opened by the weight of the fabric itself, thereby avoiding the nuisance created by cutting waste. Kit recommended if you want to increase the production, obtains maximum quality in the cut.
- Cutting table measuring 244 x 150cm.
- Consumption kw 0.85

A105/SE

- Same characteristics as A105
- Speed variator adjustable from 400 to 2000r.p.m. which allows you to cut all types of fabrics, including those that are liable to stick together.
- Work-field illuminated by halogen light, in order to see the progress of the cutting blade with total clarity.
- Sound detector signal for adjusting blade pressure, so you know you are always working properly.
- Cutting table measuring 244 x 150cm.
- Consumption kw 0.85

AUTEX reserves the right to make any necessary technical modification



C/ Can Negoci, 18
P.I. Can Negoci – 08310 Argentona
Barcelona – Spain
Telephone: 0034 93 7589325
ventas@autex-int.com
www.autex-int.com