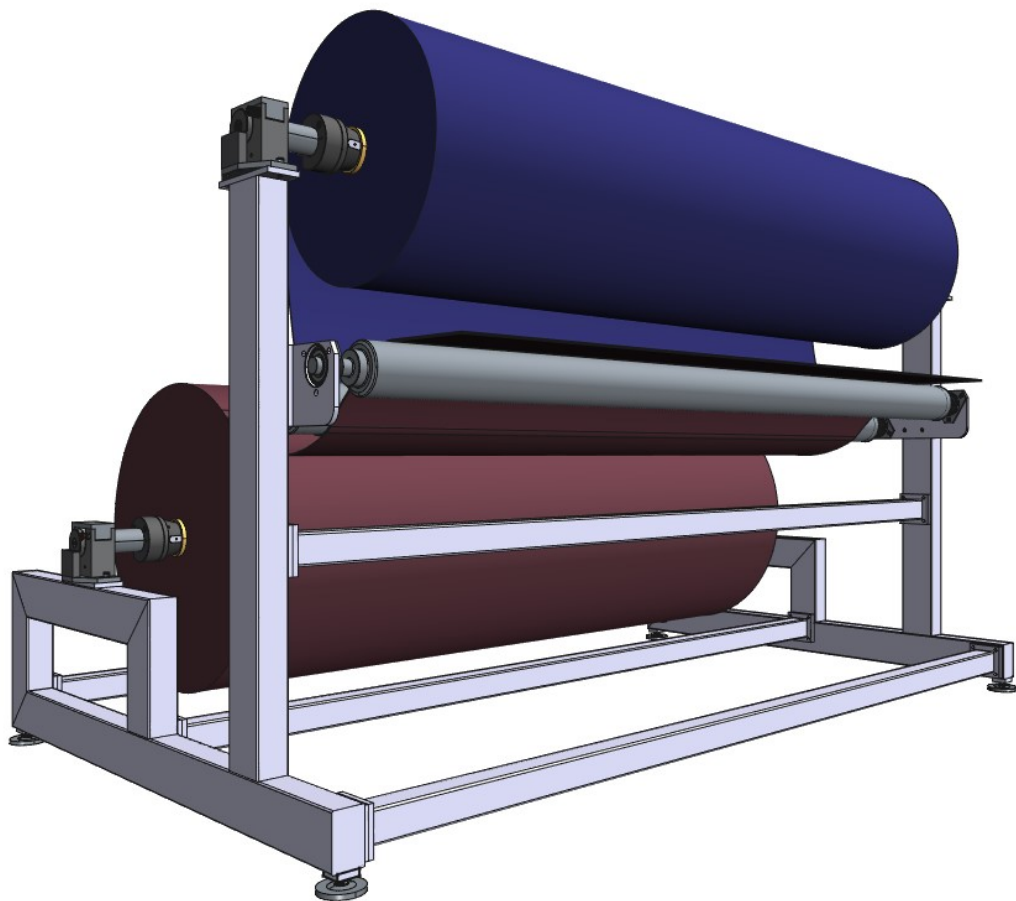


# RF-2



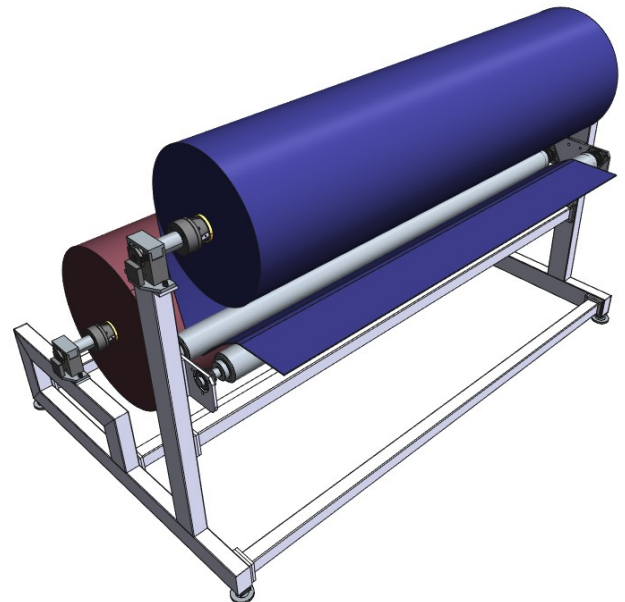
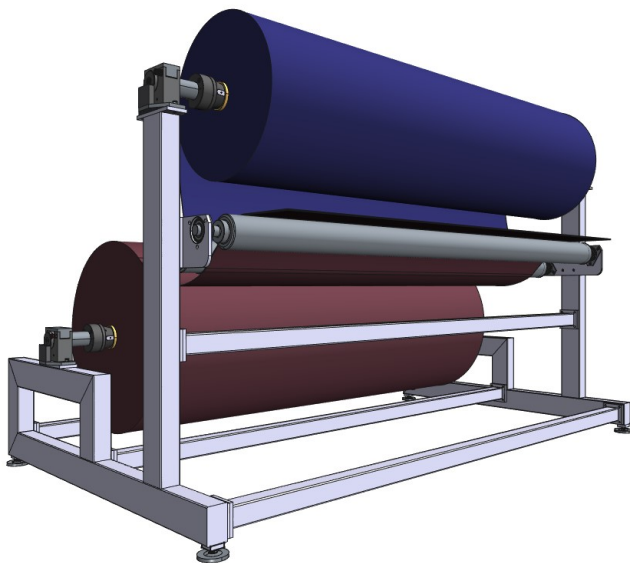
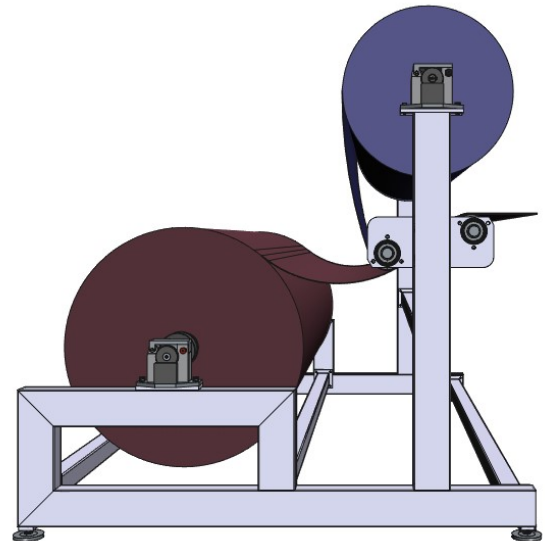
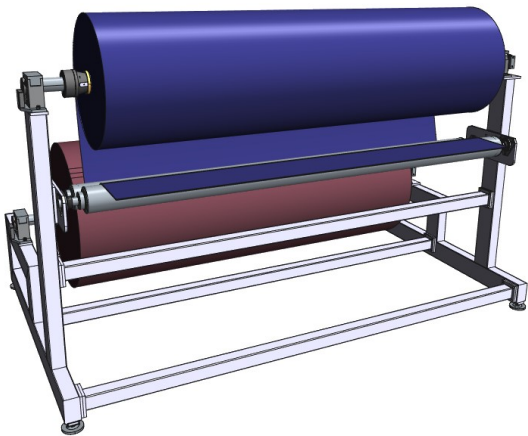
**THE RF-2 MULTI ROLL FEEDER IS AN UNWINDING UNIT FOR UNWINDING MATERIAL ROLLS.**

---



# RF-2

The **Autex Feeder RF-2** is an unwinding unit for unwinding material rolls. The RF-2 multi-roll feeder is an unwinding unit that mounts **2 independent passive roll bars**, allowing the use of either of the 2 rolls at any time. Each roll bar incorporates an adjustable brake and a set of cones tailored to the customer's required size.



C/Can Negoci, 18 - P.I. Can Negoci  
08310 Argentona - Barcelona - Spain  
Telephone: 0034 93 7589325  
[ventas@autex-int.com](mailto:ventas@autex-int.com) - [www.autex-int.com](http://www.autex-int.com)